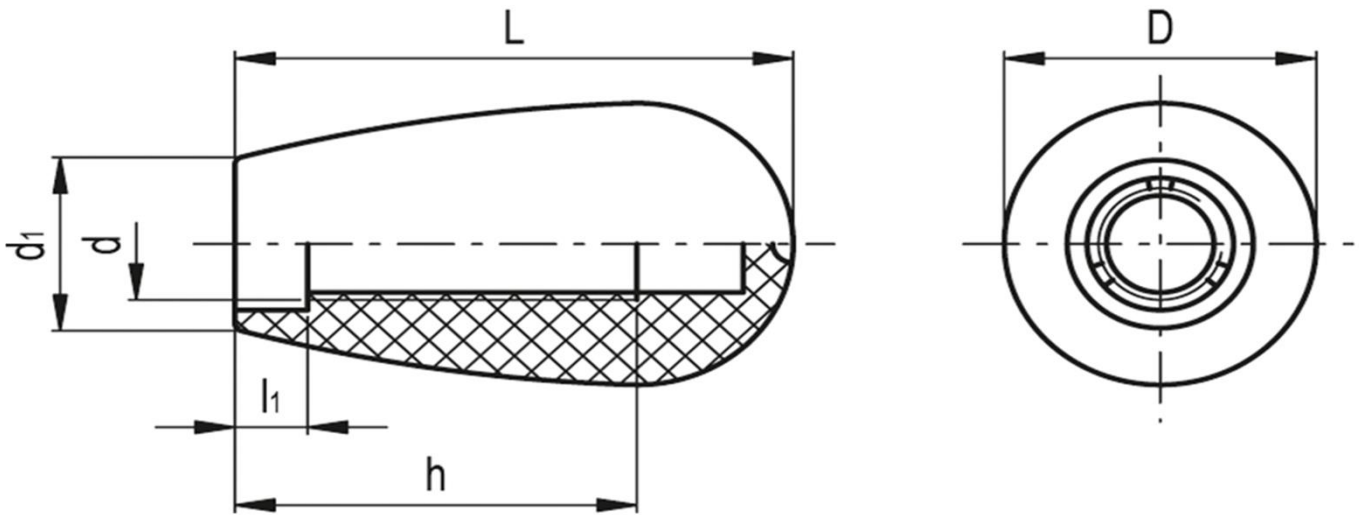


# I.622/55-M10-C9



D	L	d	d1	h	l1
(mm)					
34	54.5	M10	21	35	3.5