



FAG

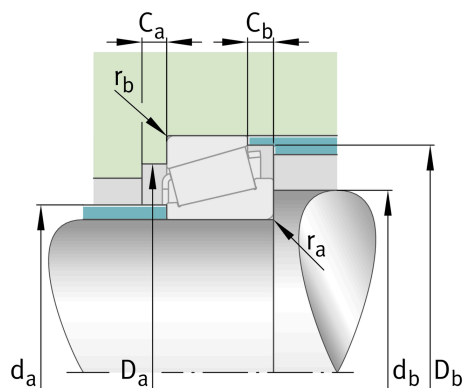
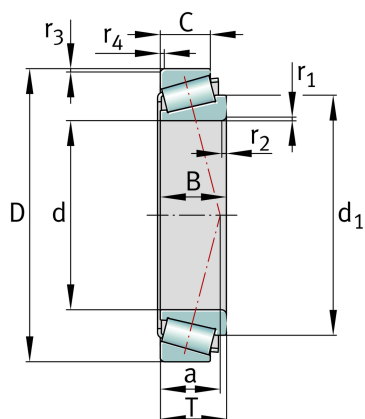
**32306-DY**

Tapered roller bearing

Materiálové číslo Schaeffler:  
0392398370000

Tapered roller bearing

## Technické informace

**Main Dimensions & Performance Data**

d	30 mm	Bore diameter
D	72 mm	Outside diameter
B	27 mm	Width, inner ring
C	23 mm	Width, outer ring
T	28,75 mm	Width, total
$C_r$	74.000 N	Basic dynamic load rating, radial
$C_{0r}$	79.000 N	Basic static load rating, radial
$C_{ur}$	9.700 N	Fatigue load limit, radial
$n_G$	10.700 1/min	Limiting speed
$n_{gr}$	7.200 1/min	Thermal speed rating
$\approx m$	541 g	Hmotnost

**Mounting dimensions**

$d_{a \max}$	39 mm	Maximum diameter of shaft shoulder
$d_{b \min}$	37 mm	Minimum diameter of shaft shoulder
$D_{a \min}$	59 mm	Minimum diameter of housing shoulder
$D_{a \max}$	65 mm	Maximum diameter of housing shoulder
$D_{b \min}$	66 mm	Minimum diameter of housing shoulder
$C_{a \min}$	4 mm	Minimum axial space
$C_{b \min}$	5,5 mm	Minimum axial space
$r_{a \max}$	1,5 mm	Maximum fillet radius of shaft
$r_{b \max}$	1,5 mm	Maximum fillet radius of housing

### Dimensions

$r_{1,2 \text{ min}}$	1,5 mm	Minimum chamfer dimension of inner ring back face
$r_{3,4 \text{ min}}$	1,5 mm	Minimum chamfer dimension of outer ring back face
a	18 mm	Distance between the apexes of the pressure cones
$d_1$	50 mm	Guidance rib diameter of inner ring

### Temperature range

$T_{\text{min}}$	-30 °C	Operating temperature min.
$T_{\text{max}}$	120 °C	Operating temperature max.

### Calculation factors

e	0,32	Limiting value of $F_a/F_r$ for the applicability of diff. Values of factors X and Y
Y	1,9	Dynamic axial load factor
$Y_0$	1,05	Static axial load factor

### Additional information

	T2FD030	Comparative designation to ISO 10317 and ISO 355
--	---------	--