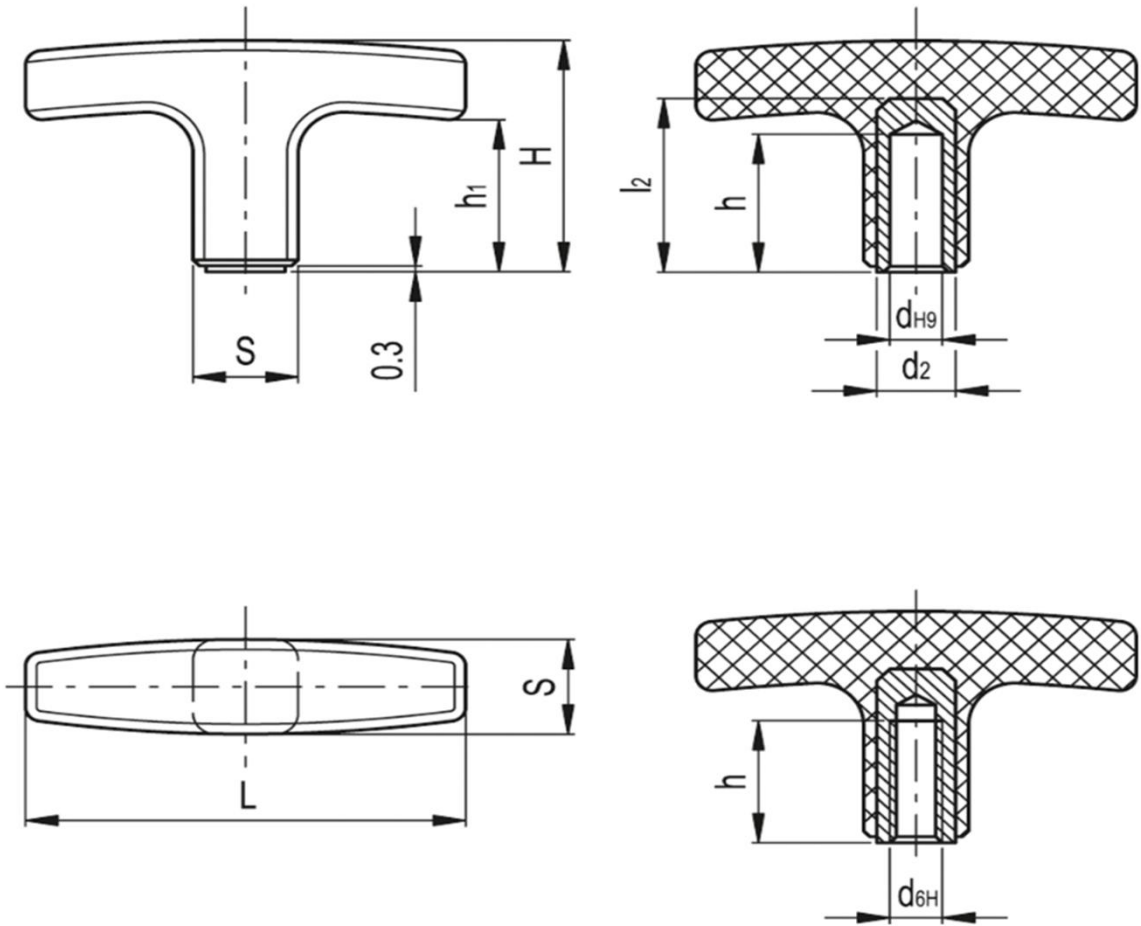


L.652/55 B-M6-C9



L	d6H	S	H	h	h1	F
(mm)						(N)
56.5	M6	15	33	18	21.5	3300