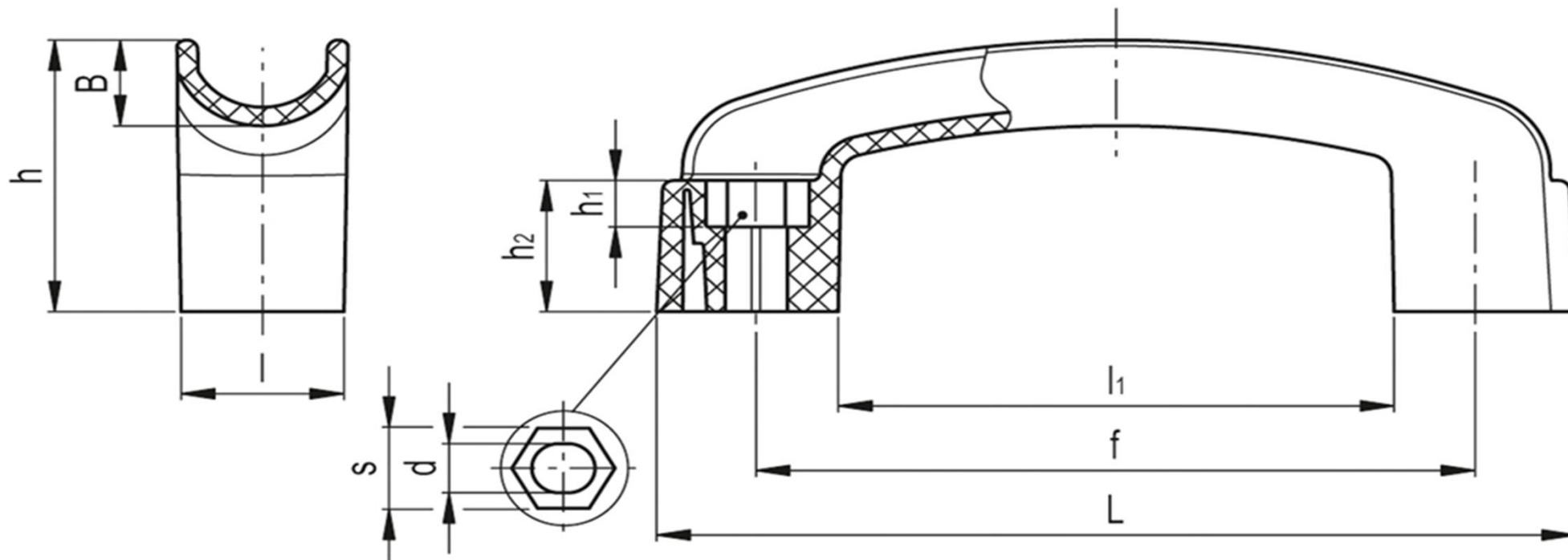


MPC 152-6



L	l	f±1	d	s	h	h1	h2	B	l1
(mm)									
153	28	117-120	6.5	10	49.5	6.5	24	15.5	93