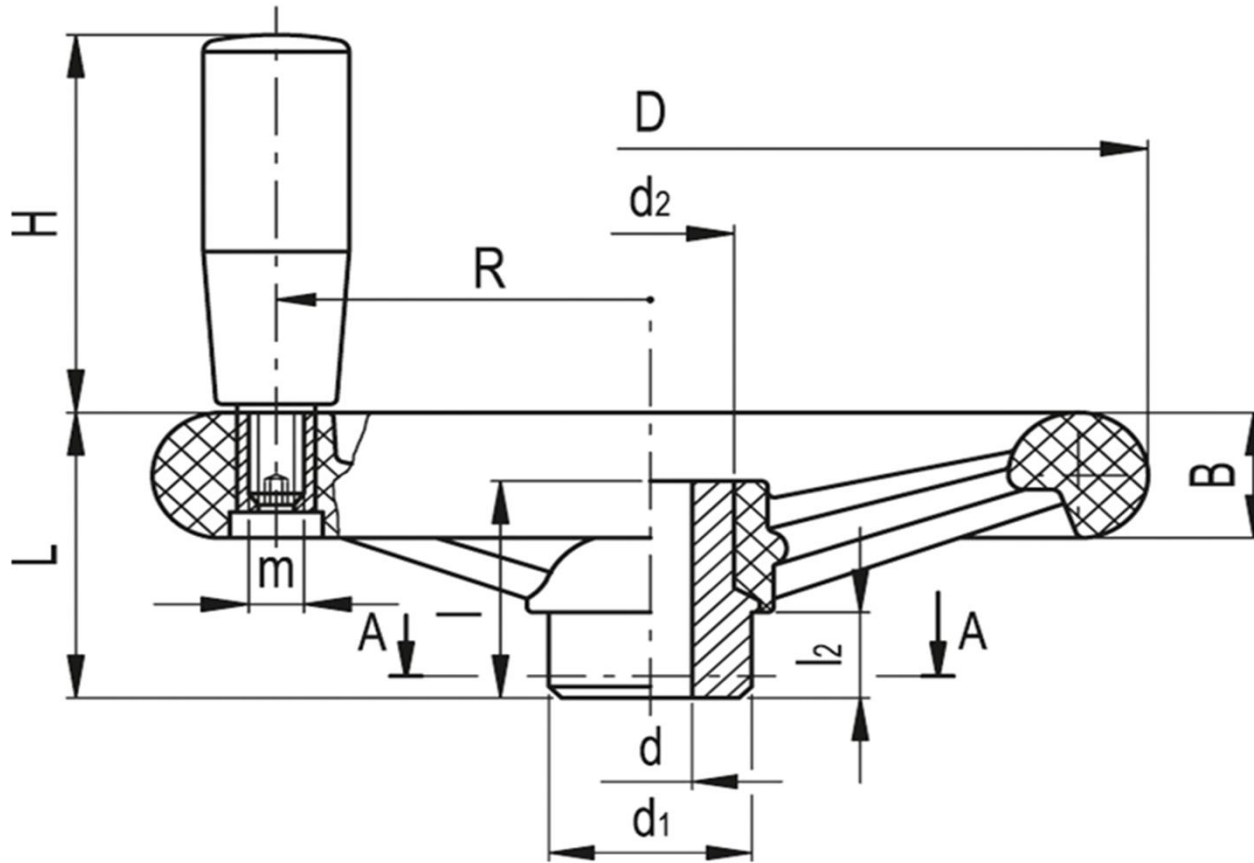
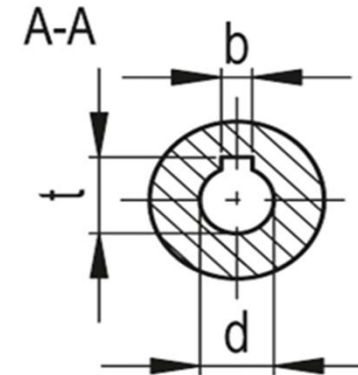


VR.125 FP+I-A12-K

VR.FP+I-A



VR.FP+I-A-K



D	dH7	L	B	d1	d2	l	l2	H	m	R	t	b	C	L
(mm)													Nm	J
124	12	45	18	24	20	36	12	50	M8	47	13.8	4	120	8