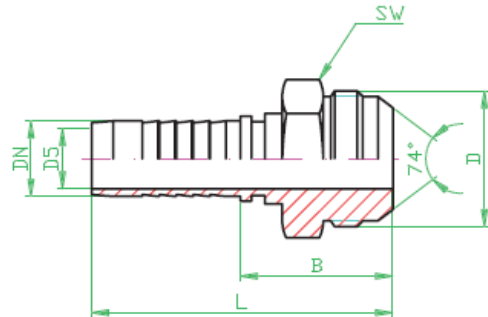


HADICOVÉ KONCOVKY

Koncovka s vnějším závitem UNF - JIC norma, kužel 74° TYP AGJ



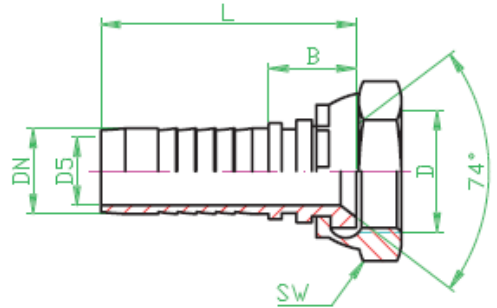
Koncovky pro vysokotlaké hadice dle EN 853 1 SN, 2 SN

| Označení | Světlost | | Závit | Rozměry | | | |
|-------------------|----------|-------|--------------|----------------|----|------|-------|
| | DN | | | D ₅ | SW | B | L |
| | (mm) | (") | | | | | |
| AGJ 7/16" DN 06 | 6 | 1/4 | 7/16-20UNF | 4 | 14 | 25,5 | 53,5 |
| AGJ 1/2" DN 06 | 6 | 1/4 | 1/2-20UNF | 4 | 17 | 25,5 | 53,5 |
| AGJ 9/16" DN 06 | 6 | 1/4 | 9/16-18UNF | 4 | 17 | 26,6 | 54,6 |
| AGJ 1/2" DN 08 | 8 | 5/16 | 1/2-20UNF | 5,5 | 17 | 25,5 | 53,5 |
| AGJ 9/16" DN 08 | 8 | 5/16 | 9/16-18UNF | 5,5 | 17 | 26,6 | 54,6 |
| AGJ 9/16" DN 10 | 10 | 3/8 | 9/16-18UNF | 7 | 17 | 26,6 | 57,1 |
| AGJ 3/4" DN 10 | 10 | 3/8 | 3/4-16UNF | 7 | 22 | 29,7 | 60,2 |
| AGJ 7/8" DN 10 | 10 | 3/8 | 7/8-14UNF | 7 | 27 | 34,3 | 64,8 |
| AGJ 3/4" DN 12 | 12 | 1/2 | 3/4-16UNF | 10 | 22 | 30,7 | 63,7 |
| AGJ 7/8" DN 12 | 12 | 1/2 | 7/8-14UNF | 10 | 27 | 35,3 | 68,3 |
| AGJ 7/8" DN 16 | 16 | 5/8 | 7/8-14UNF | 12,5 | 27 | 35,5 | 71,3 |
| AGJ 1 1/16" DN 16 | 16 | 5/8 | 1 1/16-12UNF | 12,5 | 32 | 39,1 | 74,9 |
| AGJ 1 1/16" DN 20 | 19 (20) | 3/4 | 1 1/16-12UNF | 15,5 | 32 | 39,9 | 80,4 |
| AGJ 1 5/16" DN 20 | 19 (20) | 3/4 | 1 5/16-12UNF | 15,5 | 38 | 42,1 | 82,6 |
| AGJ 1 5/16" DN 25 | 25 | 1 | 1 5/16-12UNF | 20 | 38 | 43,6 | 94,6 |
| AGJ 1 5/8" DN 32 | 31 (32) | 1 1/4 | 1 5/8-12UNF | 26 | 46 | 47,6 | 105,3 |
| AGJ 1 7/8" DN 40 | 38 (40) | 1 1/2 | 1 7/8-12UNF | 32 | 50 | 53 | 117,5 |

HADICOVÉ KONCOVKY

Koncovka s vnitřním závitem UNF - JIC norma, kužel 74°

TYP DKJ

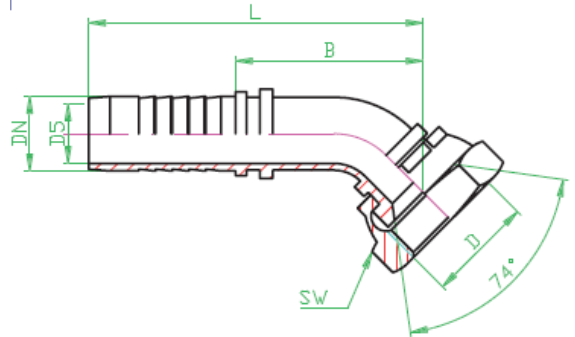


Koncovky pro vysokotlaké hadice dle EN 853 1 SN, 2 SN

| Označení | Světlost | | Závít | Rozměry | | | |
|--------------------------|----------|-------|--------------|----------------|----|------|------|
| | DN | | | D ₅ | SW | B | L |
| | (mm) | (") | | | | | |
| DKJ 7/16" DN 06 | 6 | 1/4 | 7/16-20UNF | 4 | 14 | 14 | 42 |
| DKJ 1/2" DN 06 | 6 | 1/4 | 1/2-20UNF | 4 | 17 | 15 | 40 |
| DKJ 9/16" DN 06 | 6 | 1/4 | 9/16-18UNF | 4 | 17 | 16,5 | 44,5 |
| DKJ 1/2" DN 08 | 8 | 5/16 | 1/2-20UNF | 5,5 | 17 | 14,5 | 42,5 |
| DKJ 9/16" DN 08 | 8 | 5/16 | 9/16-18UNF | 5,5 | 17 | 15,5 | 43,5 |
| DKJ 9/16" DN 10 | 10 | 3/8 | 9/16-18UNF | 7 | 17 | 15,5 | 46 |
| DKJ 3/4" DN 10 | 10 | 3/8 | 3/4-16UNF | 7 | 22 | 17,5 | 48 |
| DKJ 7/8" DN 10 | 10 | 3/8 | 7/8-14UNF | 7 | 27 | 18,5 | 48 |
| DKJ 3/4" DN 12 | 12 | 1/2 | 3/4-16UNF | 10 | 22 | 17,5 | 50,5 |
| DKJ 7/8" DN 12 | 12 | 1/2 | 7/8-14UNF | 10 | 27 | 18,5 | 51,5 |
| DKJ 7/8" DN 16 | 16 | 5/8 | 7/8-14UNF | 12,5 | 27 | 18,7 | 54,5 |
| DKJ 1 1/16" DN 16 | 16 | 5/8 | 1 1/16-12UNF | 12,5 | 32 | 22 | 57,8 |
| DKJ 1 1/16" DN 20 | 19 (20) | 3/4 | 1 1/16-12UNF | 15,5 | 32 | 21,3 | 61,8 |
| DKJ 1 5/16" DN 20 | 19 (20) | 3/4 | 1 5/16-12UNF | 15,5 | 38 | 25,5 | 66 |
| DKJ 1 5/16" DN 25 | 25 | 1 | 1 5/16-12UNF | 20 | 38 | 25,5 | 76,5 |
| DKJ 1 5/8" DN 32 | 31 (32) | 1 1/4 | 1 5/8-12UNF | 26 | 46 | 27,8 | 85,5 |
| DKJ 1 7/8" DN 40 | 38 (40) | 1 1/2 | 1 7/8-12UNF | 32 | 50 | 30 | 94,5 |

HADICOVÉ KONCOVKY

Koncovka s vnitřním závitem UNF - JIC norma, kužel 74° TYP DKJ 45°

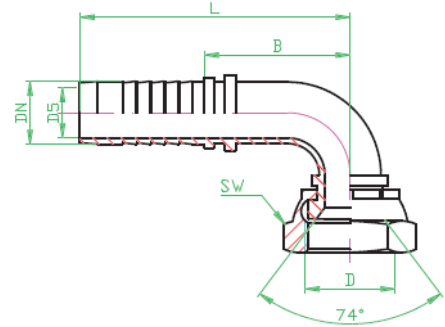


Koncovky pro vysokotlaké hadice dle EN 853 1 SN, 2 SN

| Označení | Světlost | | Závit | Rozměry | | | |
|-----------------------|----------|-------|--------------|----------------|----|------|-----|
| | DN | | | D _z | SW | B | L |
| | (mm) | (") | | | | | |
| DKJ 45° 7/16" DN 06 | 6 | 1/4 | 7/16-20UNF | 4 | 14 | 29 | 54 |
| DKJ 45° 1/2" DN 06 | 6 | 1/4 | 1/2-20UNF | 4 | 17 | 32 | 60 |
| DKJ 45° 9/16" DN 06 | 6 | 1/4 | 9/16-18UNF | 4 | 17 | 33 | 61 |
| DKJ 45° 1/2" DN 08 | 8 | 5/16 | 1/2-20UNF | 5,5 | 17 | 33 | 61 |
| DKJ 45° 9/16" DN 08 | 8 | 5/16 | 9/16-18UNF | 5,5 | 17 | 34 | 62 |
| DKJ 45° 9/16" DN 10 | 10 | 3/8 | 9/16-18UNF | 7 | 17 | 35,5 | 66 |
| DKJ 45° 3/4" DN 10 | 10 | 3/8 | 3/4-16UNF | 7 | 22 | 37,5 | 68 |
| DKJ 45° 7/8" DN 10 | 10 | 3/8 | 7/8-14UNF | 7 | 27 | 39,5 | 70 |
| DKJ 45° 3/4" DN 12 | 12 | 1/2 | 3/4-16UNF | 10 | 22 | 41 | 73 |
| DKJ 45° 7/8" DN 12 | 12 | 1/2 | 7/8-14UNF | 10 | 27 | 43 | 76 |
| DKJ 45° 7/8" DN 16 | 16 | 5/8 | 7/8-14UNF | 12,5 | 27 | 47 | 83 |
| DKJ 45° 1 1/16" DN 16 | 16 | 5/8 | 1 1/16-12UNF | 12,5 | 32 | 50 | 86 |
| DKJ 45° 1 1/16" DN 20 | 19 (20) | 3/4 | 1 1/16-12UNF | 15,5 | 32 | 59 | 99 |
| DKJ 45° 1 5/16" DN 20 | 19 (20) | 3/4 | 1 5/16-12UNF | 15,5 | 38 | 61 | 101 |
| DKJ 45° 1 5/16" DN 25 | 25 | 1 | 1 5/16-12UNF | 20 | 38 | 72 | 123 |
| DKJ 45° 1 5/8" DN 32 | 31 (32) | 1 1/4 | 1 5/8-12UNF | 26 | 46 | 95 | 153 |
| DKJ 45° 1 7/8" DN 40 | 38 (40) | 1 1/2 | 1 7/8-12UNF | 32 | 50 | 113 | 178 |

HADICOVÉ KONCOVKY

Koncovka s vnitřním závitem UNF - JIC norma, kužel 74° TYP DKJ 90°



Koncovky pro vysokotlaké hadice dle EN 853 1 SN, 2 SN

| Označení | Světlost | | Závít | Rozměry | | | |
|------------------------------|----------|-------|--------------|----------------|----|------|------|
| | DN | | | D ₅ | SW | B | L |
| | (mm) | (") | | | | | |
| DKJ 90° 7/16" DN 06 | 6 | 1/4 | 7/16-20UNF | 4 | 14 | 25,5 | 53,5 |
| DKJ 90° 1/2" DN 06 | 6 | 1/4 | 1/2-20UNF | 4 | 17 | 25,5 | 53,5 |
| DKJ 90° 9/16" DN 06 | 6 | 1/4 | 9/16-18UNF | 4 | 17 | 25,5 | 53,5 |
| DKJ 90° 1/2" DN 08 | 8 | 5/16 | 1/2-20UNF | 5,5 | 17 | 28 | 56 |
| DKJ 90° 9/16" DN 08 | 8 | 5/16 | 9/16-18UNF | 5,5 | 17 | 28 | 56 |
| DKJ 90° 9/16" DN 10 | 10 | 3/8 | 9/16-18UNF | 7 | 17 | 31 | 61,5 |
| DKJ 90° 3/4" DN 10 | 10 | 3/8 | 3/4-16UNF | 7 | 22 | 31 | 61,5 |
| DKJ 90° 7/8" DN 10 | 10 | 3/8 | 7/8-14UNF | 7 | 27 | 31 | 61,5 |
| DKJ 90° 3/4" DN 12 | 12 | 1/2 | 3/4-16UNF | 10 | 22 | 37 | 70 |
| DKJ 90° 7/8" DN 12 | 12 | 1/2 | 7/8-14UNF | 10 | 27 | 37 | 70 |
| DKJ 90° 7/8" DN 16 | 16 | 5/8 | 7/8-14UNF | 12,5 | 27 | 45 | 81 |
| DKJ 90° 1 1/16" DN 16 | 16 | 5/8 | 1 1/16-12UNF | 12,5 | 32 | 45 | 81 |
| DKJ 90° 1 1/16" DN 20 | 19 (20) | 3/4 | 1 1/16-12UNF | 15,5 | 32 | 55 | 95 |
| DKJ 90° 1 5/16" DN 20 | 19 (20) | 3/4 | 1 5/16-12UNF | 15,5 | 38 | 55 | 95 |
| DKJ 90° 1 5/16" DN 25 | 25 | 1 | 1 5/16-12UNF | 20 | 38 | 71 | 122 |
| DKJ 90° 1 5/8" DN 32 | 31 (32) | 1 1/4 | 1 5/8-12UNF | 26 | 46 | 86 | 143 |
| DKJ 90° 1 7/8" DN 40 | 38 (40) | 1 1/2 | 1 7/8-12UNF | 32 | 50 | 102 | 167 |